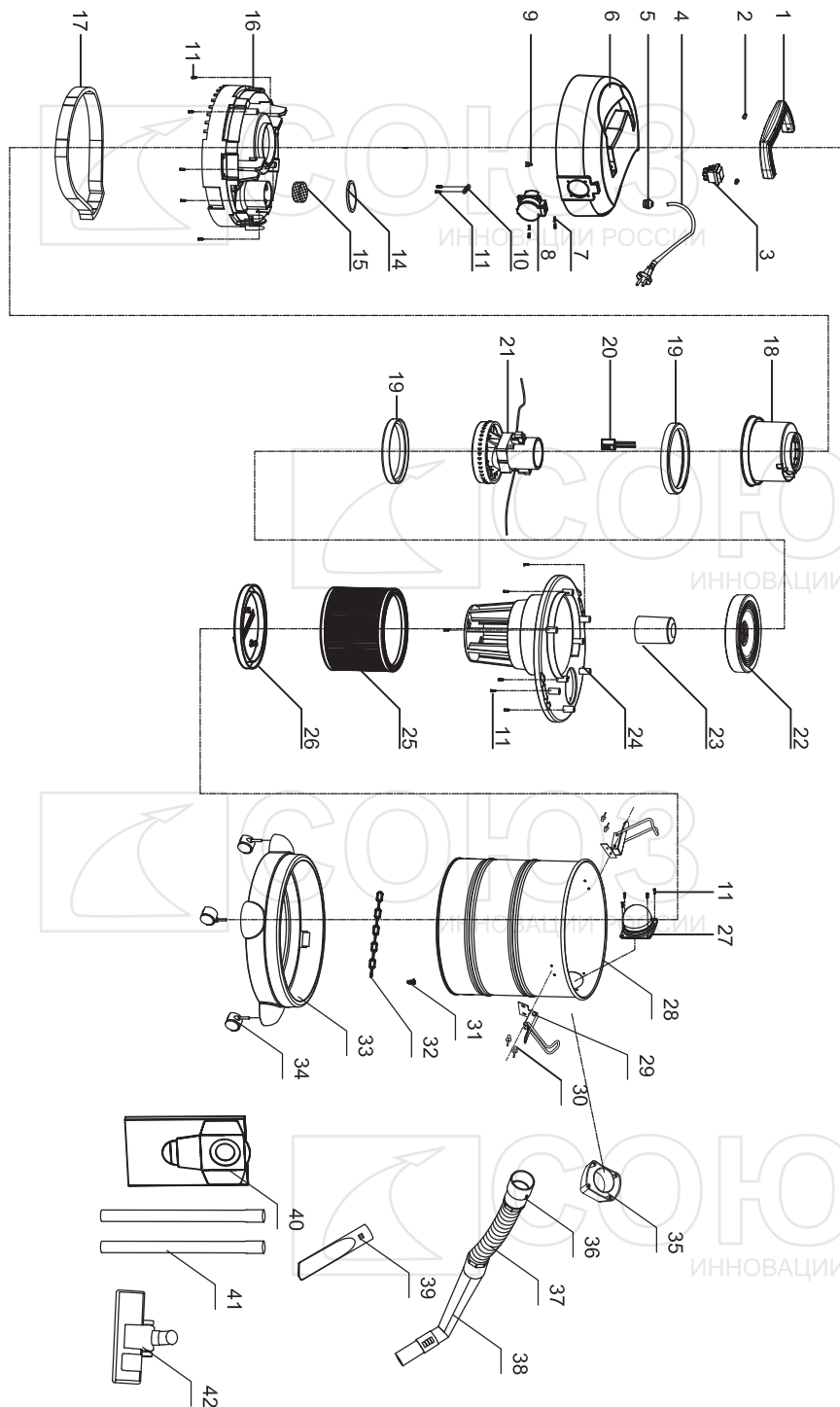


# ПСС-7330



NO.	DESCRIPTION	NO.	DESCRIPTION
1	HANDLE	23	WATER VALVE
2	HANDLE PIN	24	MOTOR BASE
3	SWITCH	25	HEPA FILTER
4	PLUG & CABLE	26	HEPA FILTER COVER
5	CABEL SLEEVE	27	INTERNAL CONNECTOR
6	TOP COVER	28	CONTAINER
7	TAPPING SCREW	29	LOCK
8	POWER SOCKET	30	RIVET
9	INSERT PIECE	31	SCREW
10	CABLE CLAMP	32	STEEL CHAIN
11	TAPPING SCREW	33	BASE
14	O RING	34	WHEEL
15	CIRCLE FILTER	35	OUT CONNECTOR
16	MIDDLE COVER	36	HOSE CONNECTOR
17	SPONGE FILTER	37	HOSE
18	MOTOR COVER	38	BENDING TUBE
19	CIRCLE DAMPING	39	FLAT NOZZLE
20	CAPACITOR	40	PAPER BAG
21	MOTOR ASSEMBLY	41	PLASTIC TUBE
22	MOTOR HOLDER	42	FLOOR BRUSH

RU-SO20160714